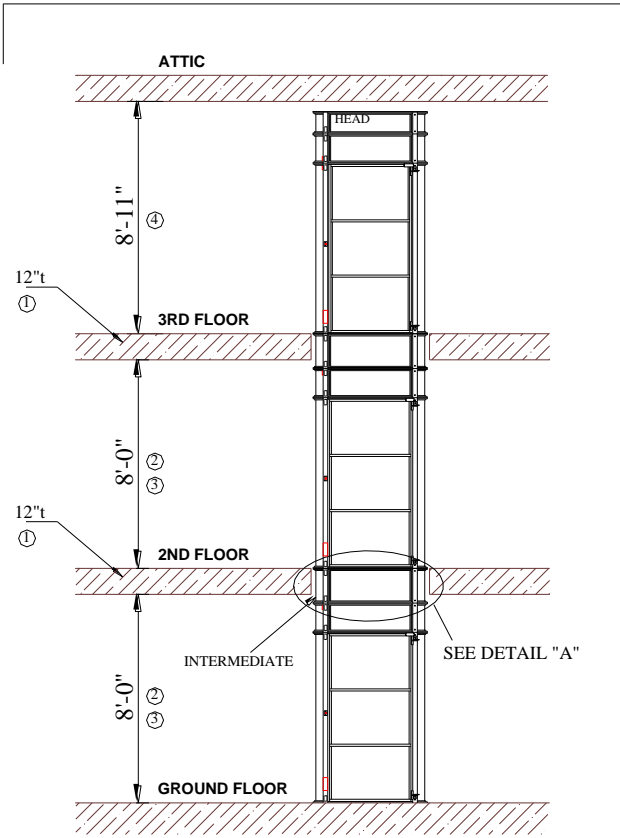
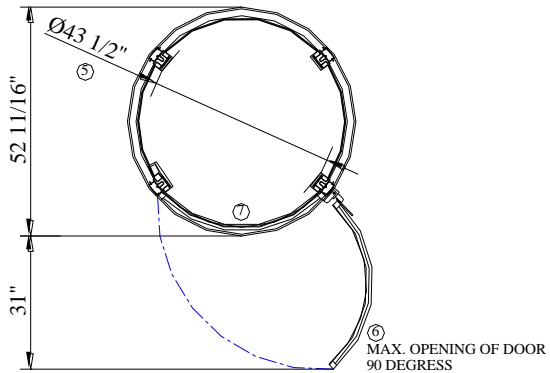


TYPICAL SETUP



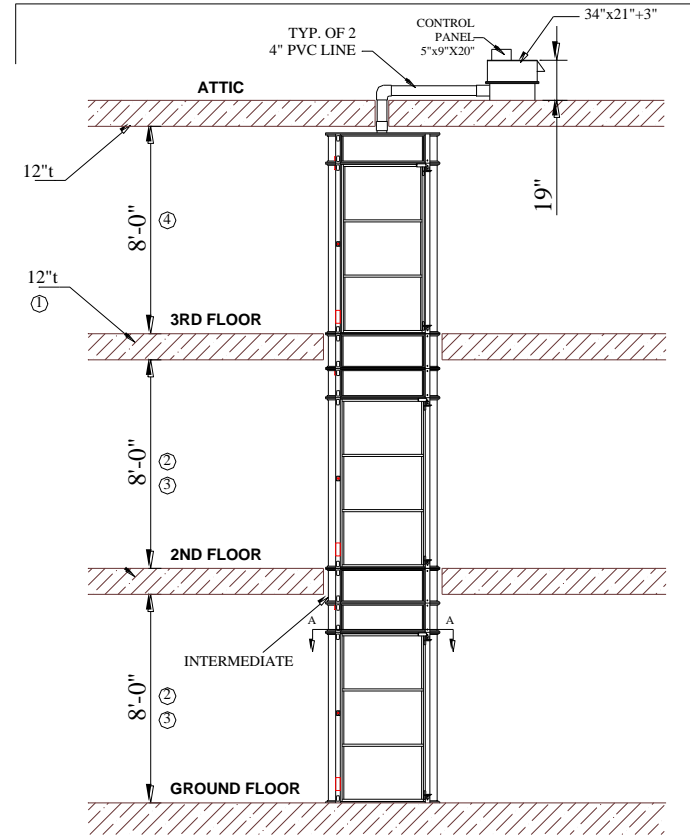
VIEW "A-A"
SCALE 2:1



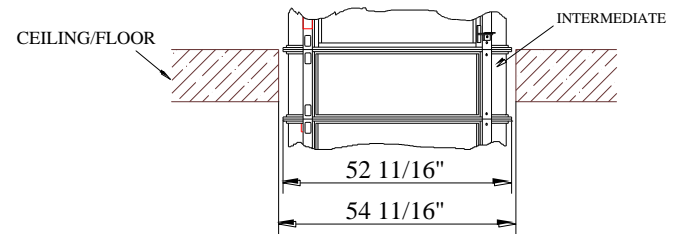
NOTE:

- ① INTERMEDIATE CYLINDER IS CUSTOM MADE AS FLOOR THICKNESS MAY VARY FROM HOME TO HOME.
- ② INTERMEDIATE CYLINDER IS CUSTOM MADE AS ROOM HEIGHT MAY VARY FROM HOME TO HOME.
- ③ MINIMUM ALLOWABLE HEIGHT IS 7'-9"
- ④ MINIMUM ALLOWABLE HEIGHT AS SHOWN FOR THIS TYPE OF INSTALLATION
- ⑤ INTERNAL DIAMETER OF CABIN WITHOUT THE COLUMNS IS 47 1/2" AND THE INTERNAL CABIN HEIGHT IS 6'-7"
- ⑥ DOOR WIDTH IS 37 9/16"
- ⑦ ENTRANCE WAY WIDTH OPENING IS 32"
- ⑧ MAX. ELEVATOR HEIGHT IS 35'

OPTION: REMOTE LOCATION OF HEAD UNIT



DETAIL "A"
SCALE 2:1
(TYPICAL OF FLOOR PENETRATION)



Information contain herein is the property of Pneumatic Vacuum Elevators LLC. No reproduction or disclosure of this information may be made by the recipient to any person or organization without the written consent of Pneumatic Vacuum Elevators LLC.

Itemref.	Quantity	Material	Dimensions		Article No./ Reference	
PNEUMATIC VACUUM ELEVATORS LLC			TYPICAL HOME INSTALLATION FOR A 3STOP ELEVATOR - MODEL UB52			
			Designed by HS	Scale 1:1	Drawing No. D-T52-H-02	Rev 0